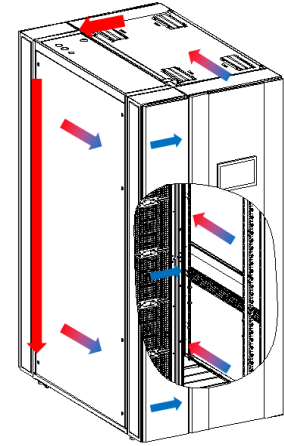


SmoothAir™ – Row Mount DX

Air cooled, row mount, split type, ideal for micro data center, integrated modular data center solutions.

5.6kW –90.1kW

300 /600 /900mm Width



- 1 Dynamically modulated cooling capacity with inverter compressor maintains temperature within envelop and prevent compressor from cycling during low heat load period.
- 2 Air flow modulates with EC fans to match IT equipment requirements. Each fan module is easy to change with quick couple connections.
- 3 Precision cooling controller monitors and protects unit constantly. Easy to be integrated into BMS to display, control and manage the system.
- 4 R410A green refrigerant is highly efficient and no ODP.
- 5 Copper piping adopts quick connections and supports bottom and top connections.
- 6 Easy to change G4 air filter and sealed doors help to build a clean and quiet MDC.
- 7 Slide drawer style electric box makes service easier.
- 8 Optional with condensate pump, leaking kit and long piping kit for diverse applications.

SmoothAir™ – Row Mount DX

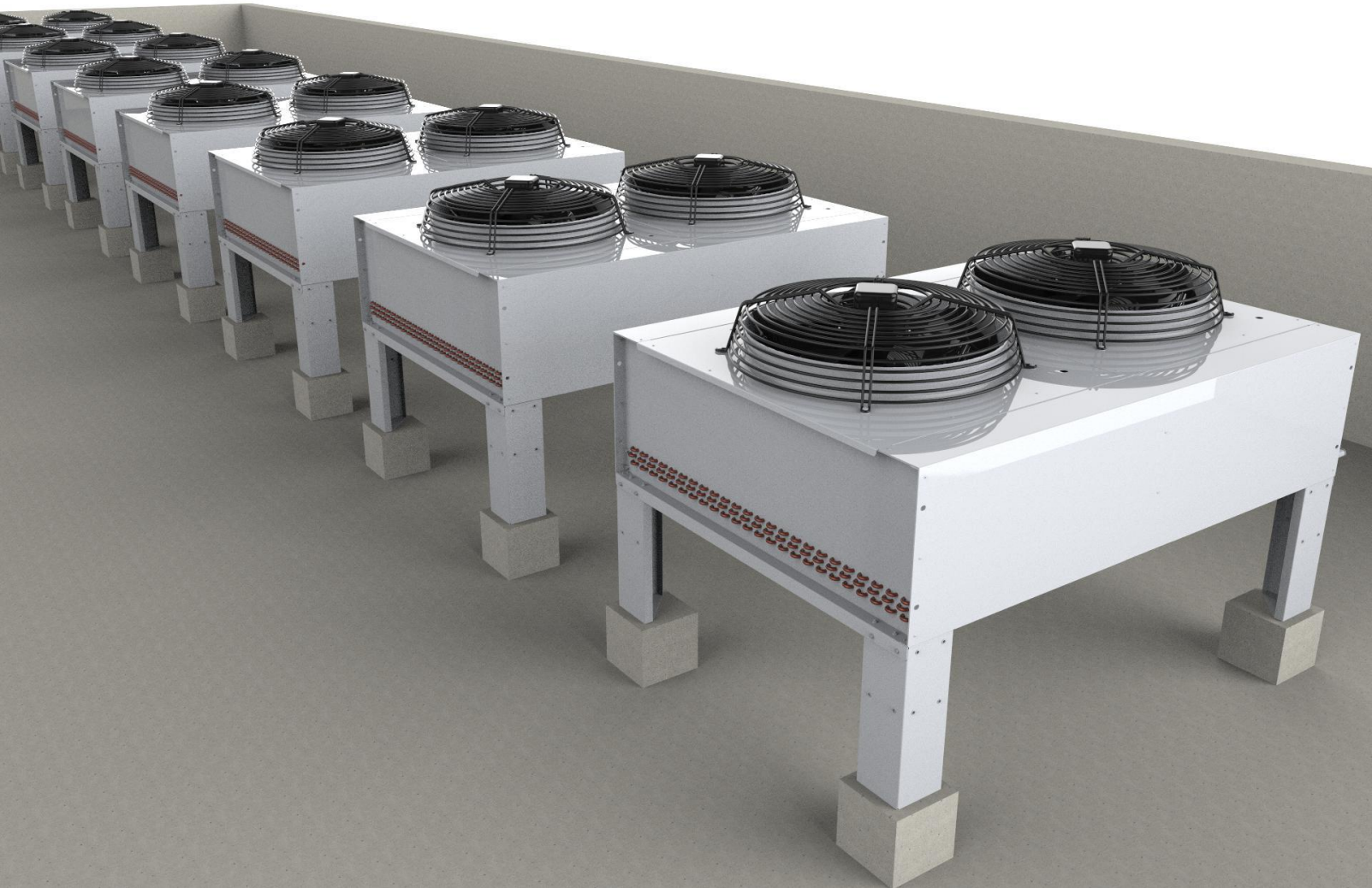
Technical Data

Indoor Unit	S-005RA	S-007RA	S-012RA	S-017RA	S-020RA	S-025RA	S-030RA	S-040RA	S-050RA	S-065RA	S-075RA	S-090RA	
Total Cooling-kW	5.6	7.6	12.8	17.6	21.2	25.1	31.1	40.9	51.2	65.7	76.8	90.1	
SHR-%	100	100	100	100	100	100	100	100	100	100	100	100	
Air Volume-m3/h	2000	2250	2400	4500	4920	5000	5800	8000	10000	12000	13500	16000	
Mount Type	Row	Row	Row	Row	Row	Row	Row	Row	Row	Row	Row	Row	
Cooling Type	DX	DX	DX	DX	DX	DX	DX	DX	DX	DX	DX	DX	
Height-mm	2000	2000	2000	2000	2000	2000	2000	2000	2000	2000	2000	2000	
Depth-mm	1100	1100	1100	1100	1100	1100	1100	1100	1100	1100	1100	1100	
Width-mm	300	300	300	300	300	300	300	600	600	600	900	900	
Weight-kg	210	213	233	253	258	260	320	360	420	460	540	620	
Reheat-kW	3.0	3.0	3.0	6.0	6.0	6.0	6.0	6.0	6.0	6.0	6.0	6.0	
Hum.(optional)-kg/h	1.5	1.5	1.5	1.5	1.5	1.5	3	3	3	3	3	3	
Power Input ¹⁾	208-240V /50-60Hz /1Ph-2Ph	208-240V /50-60Hz /1Ph-2Ph	208-240V /50-60Hz /1Ph-2Ph	380-415V /50-60Hz /3Ph	380-415V /50-60Hz /3Ph	380-415V /50-60Hz /3Ph	380-415V /50-60Hz /3Ph	380-415V /50-60Hz /3Ph	380-415V /50-60Hz /3Ph	380-415V /50-60Hz /3Ph	380-415V /50-60Hz /3Ph	380-415V /50-60Hz /3Ph	
FLA-A ¹⁾ with heating	28.2	37.3	48.7	27.0	26.7	27.9	34.6	37.7	48.1	60.6	70.8	84.6	
FLA-A ¹⁾ with hum.	33.3	42.4	53.8	32.1	31.8	33.0	39.7	47.9	58.3	70.8	81.0	94.8	
Power Input ²⁾	-	-	-	208V /50-60Hz /3Ph	208V /50-60Hz /3Ph	208V /50-60Hz /3Ph	208V /50-60Hz /3Ph	208V /50-60Hz /3Ph	208V /50-60Hz /3Ph	-	-	-	-
FLA-A ²⁾ with heating	-	-	-	49.4	48.8	51.1	63.2	68.9	-	-	-	-	
FLA-A ²⁾ with hum.	-	-	-	52.5	52.0	54.2	66.4	75.1	-	-	-	-	
Power Input ³⁾	-	-	-	460V /60Hz /3Ph	460V /60Hz /3Ph	460V /60Hz /3Ph	460V /60Hz /3Ph	460V /60Hz /3Ph	460V /60Hz /3Ph	460V /60Hz /3Ph	460V /60Hz /3Ph	460V /60Hz /3Ph	
FLA-A ³⁾ with heating	-	-	-	22.3	22.1	23.1	28.6	31.1	39.7	50.1	58.5	69.9	
FLA-A ³⁾ with hum.	-	-	-	26.5	26.3	27.3	32.8	39.6	48.2	58.6	66.9	78.4	
Standard Outdoor													
Unit Model	KSF08AN	KSF12AN	KSF18AN	KSF24AN	KSF32AN	KSF38AN	KSF42AN	KSF52AN	KSF62AN	KSF85AN	KSF52AN	KSF62AN	
Unit Qty	1	1	1	1	1	1	1	1	1	1	2	2	

Notes:

1. Air flow is based upon standard fan speed setting. Fan modulates per real loads.
2. Cooling Capacity based on 37°C/24%RH return air and 45°C condensing temperature.
3. FLA of indoor unit includes FLA of outdoor unit, and outdoor unit power connected from indoor unit.
4. SNMP monitoring port, dual power input, and leaking detection are optional.
5. Standard unit works -15°C above outdoor temperature, select low temperature kit to run for -35C outdoor ambient temperature.

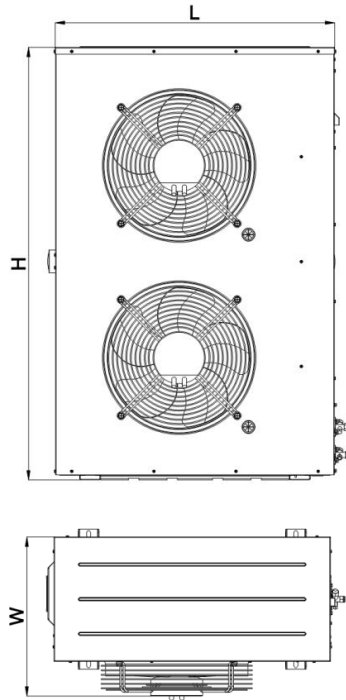
Air Cooled Condenser



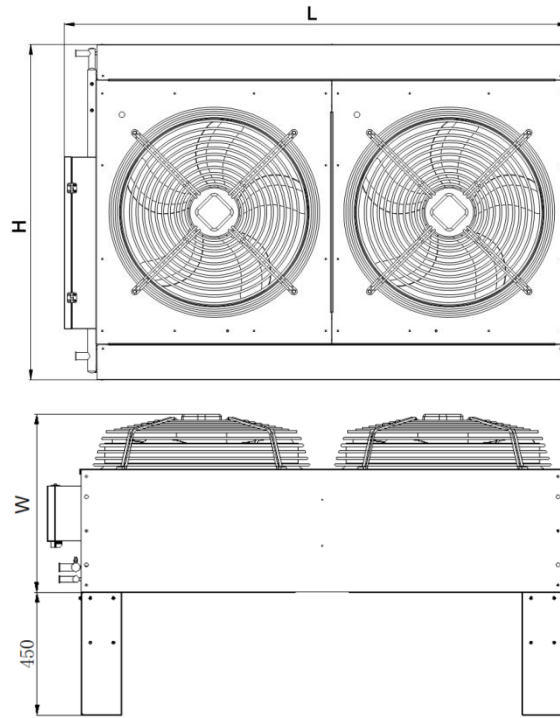
Key Configurations

- EC Fan Stepless Speed Adjusting
- Standard Quick Connector
- Efficient Finned with Heat Transfer Enhancement
- Inverter Driven Fan Stepless Speed Adjusting
- Internally Threaded Piping
- High-quality Anti-corrosion Coating
- Protective Structure for Piping Headers
- IP55 Waterproof Electrical Box
- Internally Threaded Piping
- High-quality Anti-corrosion Coating
- IP55 Waterproof Electrical Box

Air Cooled Condenser



KSF08 - KSF18



KSF24 - KDF85

Technical Data

Model	KSF08AN	KSF12AN	KSF18AN	KSF24AN	KSF32AN	KSF38AN	KSF42AN	KSF52AN	KSF62AN	KSF70AN	KSF76AN	KSF85AN	KDF62AN	KDF70AN	KDF76AN	KDF85AN
Single/Dual System	Single	Single	Single	Single	Single	Single	Single	Single	Single	Single	Single	Single	Dual	Dual	Dual	Dual
Weight -kg	28	40	67	105	110	120	130	140	150	150	220	230	160	160	220	230
Depth -mm	420	420	420	990	990	990	1273	1273	1273	1273	1273	1273	1273	1273	1273	1273
Width -mm	800	800	800	1407	1407	1407	1607	1607	1907	1907	2407	2407	2107	2107	2407	2407
Height -mm	790	790	1240	689	689	695	695	695	689	689	695	695	689	689	695	695
Leg Height	-	-	-	450	450	450	450	450	450	450	450	450	450	450	450	450
Power Input ¹⁾	208-240V /50-60Hz /1Ph 2P	208-240V /50-60Hz /1Ph 2P	208-240V /50-60Hz /1Ph 2P	380-415V /50-60Hz /3Ph	380-415V /50-60Hz /3Ph	380-415V /50-60Hz /3Ph	380-415V /50-60Hz /3Ph	380-415V /50-60Hz /3Ph	380-415V /50-60Hz /3Ph	380-415V /50-60Hz /3Ph	380-415V /50-60Hz /3Ph	380-415V /50-60Hz /3Ph	380-415V /50-60Hz /3Ph	380-415V /50-60Hz /3Ph	380-415V /50-60Hz /3Ph	380-415V /50-60Hz /3Ph
FLA -A ¹⁾	1.5	1.5	3.0	2.0	2.0	2.8	2.8	2.8	4.0	4.0	5.6	5.6	4.0	4.0	5.6	5.6
Power Input ²⁾	-	-	-	460V /50-60Hz /3Ph	460V /50-60Hz /3Ph	460V /50-60Hz /3Ph	460V /50-60Hz /3Ph	460V /50-60Hz /3Ph	460V /50-60Hz /3Ph	460V /50-60Hz /3Ph	460V /50-60Hz /3Ph	460V /50-60Hz /3Ph	460V /50-60Hz /3Ph	460V /50-60Hz /3Ph	460V /50-60Hz /3Ph	460V /50-60Hz /3Ph
FLA -A ²⁾	-	-	-	1.7	1.7	2.4	2.4	2.4	3.3	3.3	4.8	4.8	3.3	3.3	4.8	4.8
Piping Connection -mm	10/12	10/12	12/16	16/22	16/22	16/22	16/22	22/28	22/28	22/28	22/28	22/28	22/28	22/28	22/28	22/28

Notes:

- 1, KSF08-KSF18 is vertical installation;
- 2, KSF24 and above is horizontal/vertical adaptive;